



**GOLIATH®**  
*Winches*

## GOLIATH Leading manufacturer of hand winches

**TALBOT Industrie** design & manufacture, for more than 30 years, winches, rollers and retractable systems.

The company offers one of the largest ranges of manual winches under **GOLIATH** trademark.

Designed for industrial or private applications, GOLIATH winches cover a wide variety of applications:

- Ratchet winch up to 3 500 kg
- Lifting winch (steel and stainless steel) up to 1 500 kg
- Worm gear winch up to 900 kg
- Multi-purpose wall mounted winch up to 300 kg
- Electric winch up to 2 000 kg
- Special winch (dedicated applications) for OEM and equipment manufacturers

Goliath lifting winches include a built-in self-activated friction brake and a protective structure.

They conform to European standards and are CE / GS certified.

All Goliath winches undergo the most rigorous durability and capacity tests for optimum quality and safety.

## GOLIATH® winches range



**Compact winch (page 3)**  
Multi-purpose winch.



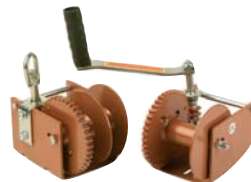
**Ratchet winch (page 4)**  
Reversible ratchet 1, 2 or 3 speeds.  
Removable handle.



**Brake winch (page 6)**  
For lifting purpose.  
Includes a self-braking system.



**Stainless steel (316L/1.4404) lifting winch (page 8)**  
For corrosive environments.



**Worm gear winch (please contact us)**  
Capacity up to 900 kg.



**Electrical hauling winch (please contact us)**  
Capacity up to 2 000 kg.

## How to select your Goliath winch

### Winch selection

The winch must be carefully selected depending on your application, the load, the type of cable or webbing strap fitted and the specific conditions of operation required.

The technical and safety specifications in this leaflet have been designed to assist you in selecting the product you need.

**Unless otherwise required by your application, we recommend the selection of a brake winch with gear protection, suitable for most lifting or pulling applications and offering the most appropriate level of safety.**

### Operation

All winches are supplied without cable or webbing strap.

It is required to control the winch after assembly of the cable or the webbing strap by conducting a commissioning test in accordance with local safety standards.

The winch has to be used and maintained according to the manufacturer's instructions.

Non compliance to these instructions may create potential safety hazards.

### Warning - it is prohibited :

- To lift and transport people ;
- For people to stand under the load
- To lift loads with a cable line not perpendicular to the drum axel
- To swing the load during the winching operation
- To hold a load sustained by the winch beyond the operation time.
- To unwind the loose cable and then release the load.
- And particularly regarding the ratchet winches :
  - To use the winch for lifting purpose
  - To manipulate the ratchet :
    - when the winch is holding a load
    - when the load has not been secured safely.



### Please observe the following :

Never use the winch with a fully un-wound cable. Always retain a minimum of 3 turns on the drum.

We strongly recommend to mark this limit on the cable.

Never roll up the cable in the opposite to the normal rotation direction of the drum - the friction brake will not work.

Never leave the winch within reach of children or people not familiar with its operation.

Operate the winch exclusively with its handle. The winch has not been designed to be powered by any type of motor.

Never exceed the load capacity indicated on the winch label.

Never use the winch with worn or damaged cable or webbing strap. Comply with the recommended wear regulations concerning the cable.

## Compact lifting winches



- Compact and sturdy lifting winches for loads up to 300 kg.
- Low force on the handle (3daN).
- Permanent brake and protection cover for greater safety.
- Operation noise free.
- Ideal for a short moving stroke (2 m).



### Items

Note : Winches supplied without cable or webbing strap

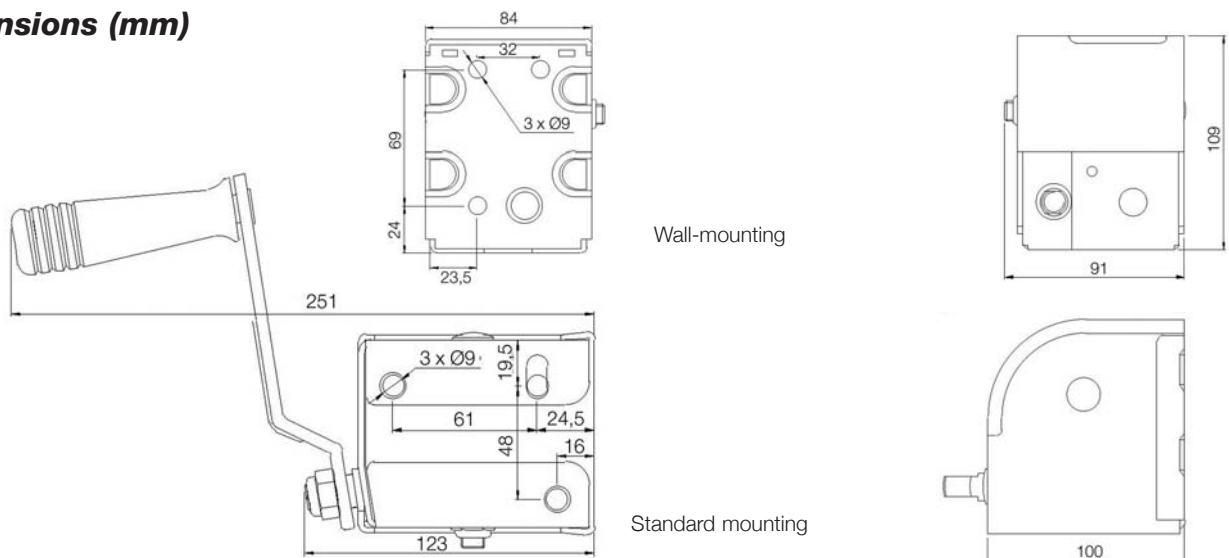
Type	CS100 Standard PF63201	CS100MD Quick attach handle PF63202	CS100PS For webbing strap PF63204	CS200 Standard PF63301	CS200MD Quick attach handle PF63302	CS300 Standard PF63350
Maximum rated capacity	100 kg	100 kg	170 kg	200 kg	200 kg	300 kg
Gear ratio	1/7	1/7	1/7	1/14	1/14	1/14
Force on handle at 50% of rated capacity	3 daN	3 daN	3 daN	3 daN	3 daN	3 daN
Drum cable capacity, Ø 3 mm	9 m	9 m	-	4 m	4 m	-
Drum cable capacity, Ø 4 mm	-	-	-	2 m	2 m	2 m
Webbing strap capacity, 1 mm thick/20 mm wide	-	-	4 m	-	-	-
Weight	1,8 kg	1,8 kg	1,8 kg	1,8 kg	1,8 kg	1,8 kg
Number of winches per box	12	12	12	12	12	12

### Maintenance kit

Type	CS100	CS100MD	CS100PS	CS200	CS200MD	CS300
Cable grip	PF56006	PF56006	-	PF56001	PF56001	PF56001
Handle kit	PF56051	-	PF56051	PF56051	-	PF56051
Quick attach handle kit	-	PF56083	-	-	PF56083	-

**Note :** These winches are not designed for moving people and must not be used for that purpose.

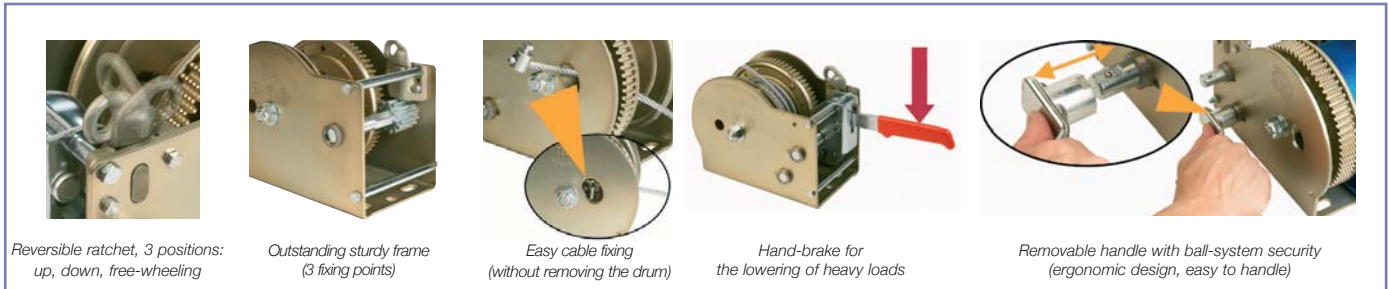
### Dimensions (mm)



## Pulling winches with ratchet



- Pulling winch
- Reversible ratchet with free-wheeling facility
- Wide range, 1 to 3 speeds
- Pulling capacity up to 3 500 kg
- Surface treatment : zinc plated



### Items

Winches supplied without any cable or webbing strap



Cable winch range	3N1	5N1	6N1	7N1	9N1	9N1F
Item No	PF50301	PF50501	PF50601	PF50701	PF50901	PF50907
Pulling capacity on a 30% incline	470 kg	596 kg	656 kg	723 kg	894 kg	894 kg
Gear ratio	1/2,57	1/3,5	1/3,5	1/4,85	1/4,85	1/4,85
Drum-Ø	25 mm	22 mm	22 mm	28 mm	28 mm	28 mm
Hand-brake	No	No	No	No	No	Yes
Weight	2,0 kg	3,0 kg	3,2 kg	4,6 kg	6,0 kg	6,0 kg
Number of winches per box	10	7	7	5	4	3
<b>Webbing strap winch range*</b>	<b>3N1PS</b>	<b>5N1PS</b>	<b>6N1PS</b>	<b>7N1PS</b>	<b>9N1PS</b>	<b>9N1FPS</b>
Item No	PF50301PS	PF50501PS	PF50601PS	PF50701PS	PF50901PS	PF50907PS

Winches supplied without any cable or webbing strap



Cable winch range	12N2	12N2F	16N2	16N2F	20N2	20N2F	25N3F
Item No	PF51201	PF51207	PF51601	PF51607	PF52201	PF52207	PF52507
Pulling capacity on a 30% incline	1 264 kg	1 264 kg	1 556 kg	1 556 kg	1 860 kg	1 860 kg	2 741 kg
Gear ratio	Speed 1 1/4,85	1/4,85	1/4,85	1/4,85	1/4,85	1/4,85	1/4,25
	Speed 2 1/9,71	1/9,71	1/9,71	1/9,71	1/9,71	1/9,71	1/10,92
	Speed 3 -	-	-	-	-	-	1/21,85
Drum-Ø	28 mm	28 mm	28 mm	28 mm	28 mm	28 mm	50 mm
Hand-brake	No	Yes	No	Yes	No	Yes	Yes
Weight	6,6 kg	7,5 kg	6,9 kg	7,8 kg	7,1 kg	8 kg	13,1 kg
Number of winches per box	3	3	3	3	3	3	1
<b>Webbing strap winch range*</b>	<b>12N2PS</b>	<b>12N2FPS</b>	<b>16N2PS</b>	<b>16N2FPS</b>	<b>20N2PS</b>	<b>20N2FPS</b>	<b>25N3FPS</b>
Item No	PF51201PS	PF51207PS	PF51601PS	PF51607PS	PF52201PS	PF52207PS	PF52507PS

\* These winches have been designed for 50 mm wide webbing straps

**Important :** These winches are not designed for the transport of people or for lifting applications and must not be used for such purposes. Do not reverse or change the ratchet position until the load has been secured safely.

### Cables and winding capacities

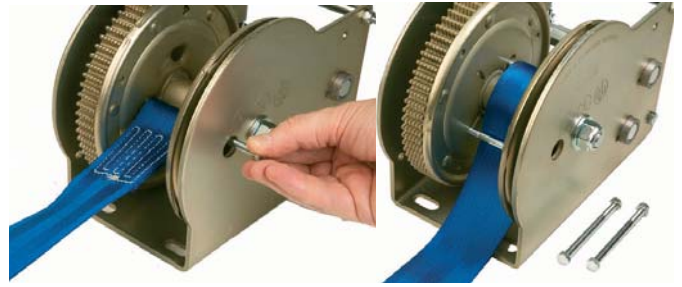
Winch type	3N1	5N1	6N1	7N1	9N1-9N1F	12N2-12N2F	16N2-16N2F	20N2-20N2F	25N3F
Cable-Ø (mm)	3	5	5	5	6	7	7	7	8
Max. length (m)	22	17	17	32	21	14	14	14	14
Cable-Ø (mm)	4	6	6	7	7	8	8	8	9
Max. length (m)	13	10	10	14	16	10	10	10	13
<b>Pulling winch capacity with a rolling load (kg)</b>									
On a 10% (6°) incline	913	1 158	1 273	1 404	1 735	2 454	3 021	3 510	5 321
On a 20% (11,3°) incline	615	780	858	946	1 069	1 653	2 035	2 400	3 585

## Mounting the webbing strap

### Set of screws for webbing strap : PF56020

Each Goliath ratchet winch can be fitted independently with a cable or a webbing strap. Only the fixing sets are different.

Mounting a webbing strap on a Goliath ratchet winch simply requires a set of fixing screws to be ordered for replacement of the usual cable grip (except for 3N1PS and 25N3FPS).



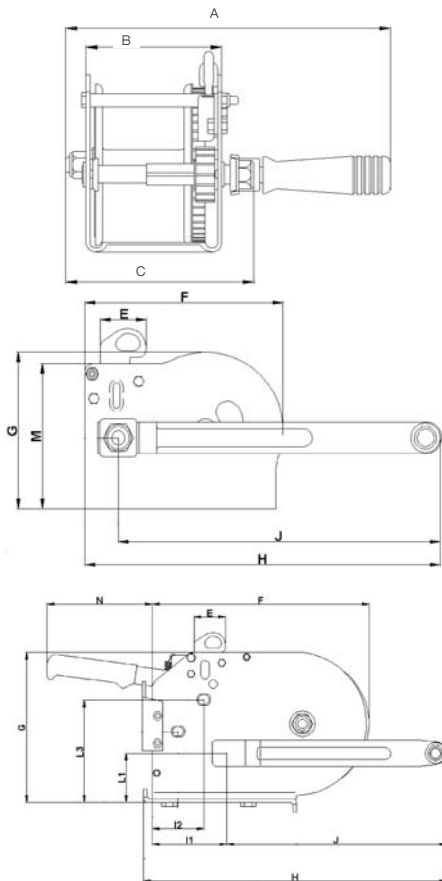
**Fixing accessories :** see page 7 (as for brake winches)

## Maintenance kit

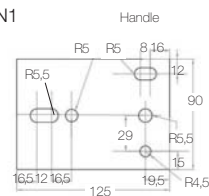
Winch type	3N1	5N1	6N1	7N1	9N1	9N1F	12N2	12N2F	16N2	16N2F	20N2	20N2F	25N3F
Handle kit	PF56051	PF56052	PF56052	PF56052	PF56052	PF56054	PF56054	PF56054	PF56054	PF56054	PF56054	PF56054	PF56054
Ratchet kit	PF56101	PF56102	PF56102	PF56103	PF56103	PF56103	PF56103	PF56103	PF56103	PF56103	PF56103	PF56103	PF56104
Hand-brake + ratchet kit	-	-	-	-	-	PF56110	-	PF56110	-	PF56110	-	PF56110	PF56111
Cable grip kit	PF56001	PF56002	PF56002	PF56002	PF56004	PF56004	PF56004	PF56004	PF56004	PF56004	PF56004	PF56004	PF56005

## Dimensions (mm)

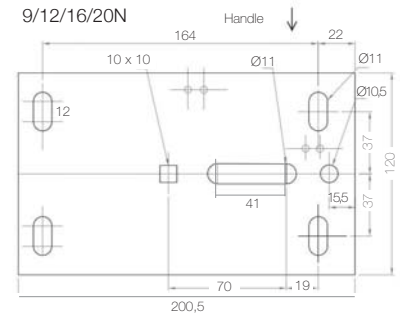
**Important :** At least 3 fixing points are required



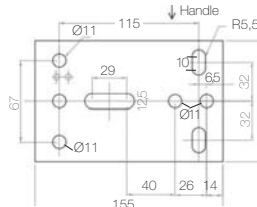
3N1



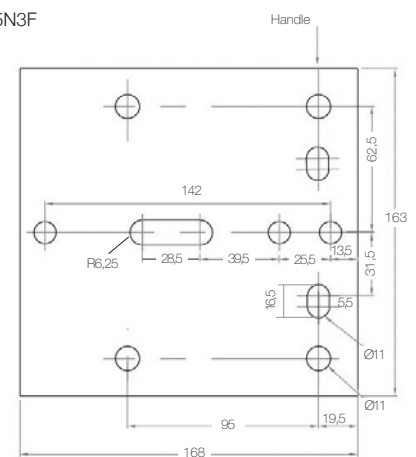
9/12/16/20N



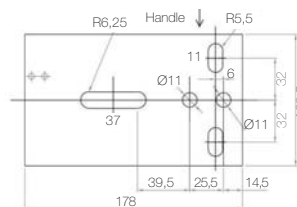
5/6N1



25N3F



7N1

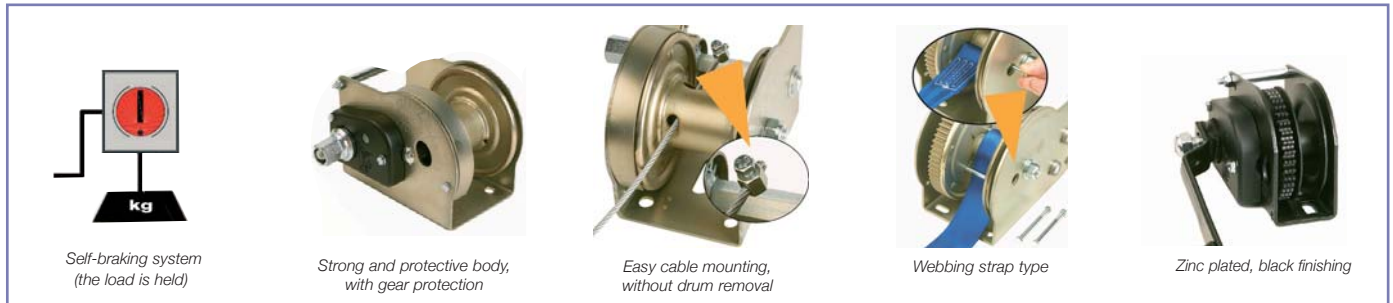


Winch type	3N1	5N1	6N1	7N1	9N1	9N1F	12N2	12N2F	16N2	16N2F	20N2	20N2F	25N3F
A	230	240	240	242	270	285	290	290	290	290	290	290	345
B	90	99	99	100	120	120	120	120	120	120	120	120	163
C	130	140	140	142	165	165	175	175	175	175	175	175	230
E	38	38	38	38	38	38	38	38	38	38	38	38	38
F	125	161	161	200	214	214	214	214	214	214	214	214	265
G	100	127	127	166	171	171	171	171	171	171	171	171	190
H	200	240	240	240	253	300	312	312	312	312	312	312	348
I1	27	27	27	27	40	40	52	52	52	52	52	52	88
I2	-	-	-	-	-	-	30	30	30	30	30	30	66
J	174	213	213	213	213	260	260	260	260	260	260	260	260
L1	30	57	57	81	83	83	83	83	83	83	83	83	55
L3	-	-	-	-	-	-	-	-	-	-	-	-	76
M	88	118	118	140	141	141	141	141	141	141	141	141	175
N	-	-	-	-	-	150	-	160	-	160	-	160	130

## Brake winches



- Winch with a security self-braking system for lifting applications. The load can be held without any action on the handle
- Cable and webbing strap winch types
- Lifting capacity up to 1 500 kg
- Surface treatment : zinc plated



### Brake winches with gear protection

Winches supplied without any cable or webbing strap



Cable winch range	4AFMD	4AFD	6AFD	8AFD	12AFD	20AFD	30AFD
Item No	PF54424	PF53403	PF53603	PF53803	PF53103	PF532003	PF533003
Lifting capacity : last layer	80 kg	190 kg	240 kg	270 kg	490 kg	650 kg	1 419 kg
first layer	190 kg	340 kg	500 kg	650 kg	900 kg	1 180 kg	1 994 kg
Drum-Ø	27 mm	40 mm	45 mm	54 mm	63 mm	76 mm	80 mm
Rolling load capacity on a 30% incline	350 kg	500 kg	750 kg	850 kg	1 500 kg	2 500 kg	3 664 kg
<b>Webbing strap winch range*</b>	-	<b>4AFDPS</b>	<b>6AFDPS</b>	<b>8AFDPS</b>	<b>12AFDPS</b>	-	-
<b>Item No</b>	-	<b>PF53409</b>	<b>PF53606</b>	<b>PF53807</b>	<b>PF53107</b>	-	-
Lifting capacity : last layer	-	120 kg	200 kg	250 kg	300 kg	-	-
first layer	-	340 kg	500 kg	650 kg	800 kg	-	-
Drum-Ø	-	25 mm	22 mm	28 mm	28 mm	-	-
Rolling load capacity on a 30% incline	-	500 kg	750 kg	850 kg	1 500 kg	-	-
<b>Common data</b>							
Min. load for the brake function	10 kg	10 kg	10 kg	10 kg	10 kg	10 kg	50 kg
Gear ratio	1/2,57	1/2,57	1/3,5	1/4,85	1/9,71	1/9,71	1 /21,85
Weight	2,2 kg	2,7 kg	3,7 kg	5,5 kg	7,4 kg	7,8 kg	13,7 kg
Number of winches per box	10	8	6	4	3	3	1

### Brake winches without gear protection

Winches supplied without any cable or webbing strap



Cable winch range	4AFM	4AF	6AF	8AF	12AF	30AF
Item No	PF54416	PF54403	PF54603	PF54803	PF54103	PF533001
Lifting capacity : last layer	80 kg	190 kg	240 kg	270 kg	490 kg	1 419 kg
first layer	190 kg	340 kg	500 kg	650 kg	900 kg	1 994 kg
Drum-Ø	27 mm	40 mm	45 mm	54 mm	63 mm	80 mm
Rolling load capacity on a 30% incline	350 kg	500 kg	750 kg	850 kg	1 500 kg	3 664 kg
<b>Webbing strap winch range*</b>	-	<b>4AFPS</b>	<b>6AFPS</b>	<b>8AFPS</b>	<b>12AFPS</b>	-
<b>Item No</b>	-	<b>PF54409</b>	<b>PF54606</b>	<b>PF54807</b>	<b>PF54107</b>	-
Lifting capacity : last layer	-	120 kg	200 kg	250 kg	300 kg	-
first layer	-	340 kg	500 kg	650 kg	800 kg	-
Drum-Ø	-	25 mm	22 mm	28 mm	28 mm	-
Rolling load capacity on a 30% incline	-	500 kg	750 kg	850 kg	1 500 kg	-
<b>Common data</b>						
Min. load for the brake function	10 kg	10 kg	10 kg	10 kg	10 kg	50 kg
Gear ratio	1/2,57	1/2,57	1/3,5	1/4,85	1/9,71	1 x 21,85
Weight	2,2 kg	2,7 kg	3,7 kg	5,5 kg	7,4 kg	13,7 kg
Number of winches per box	10	8	6	4	3	1

\* These winches have been designed for 50 mm wide webbing straps

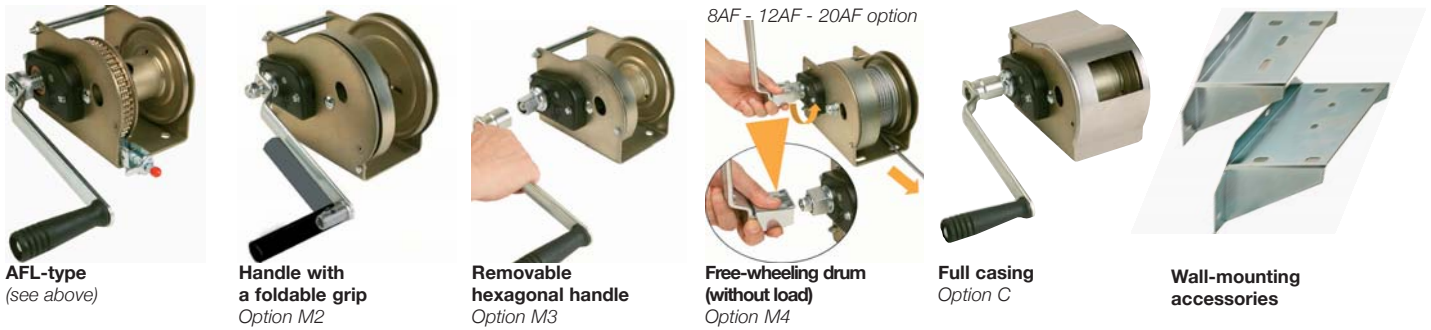
**Important :** These winches are not designed for the transport of people and must not be used for this purpose.

## AFL security lock range

Winches with additional manual security lock .

AFDL-winch with gear protection	4AFDL	6AFDL	8AFDL	12AFDL
	PF53401	PF53601	PF53801	PF53101
AFL-winch without gear protection	4AFL	6AFL	8AFL	12AFL
	PF54401	PF54601	PF54801	PF54101
Accessories for wall-mounting	PF00471	PF01411	PF01411	PF01411

## Options (available in master pack only)



## Cables and winding capacities

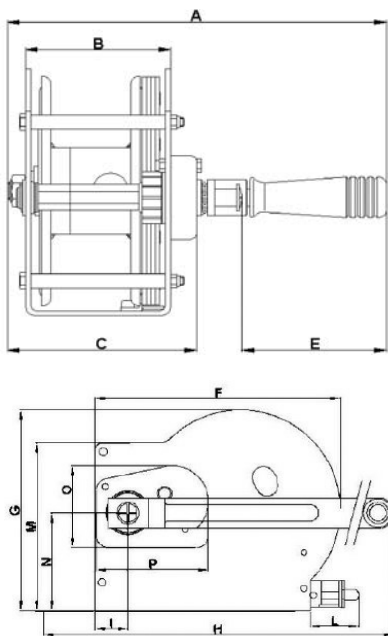
Winch type	4AFM	4AF	6AF	8AF	12AF	20AF	30AF
Cable-Ø (mm)	3	4	5	6	7	8	9
Max. length (m)	8	12	14	19	13	10	13

## Maintenance kit

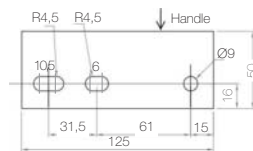
Winch type	4AFM	4AF	6AF	8AF	12AF	20AF	30AF
Handle kit	PF56060	PF56060	PF56061	PF56062	PF56063	PF56064	PF56065
Cable grip kit	PF56001	PF56001	PF56002	PF56003	PF56004	PF56004	PF56005

## Dimensions (mm)

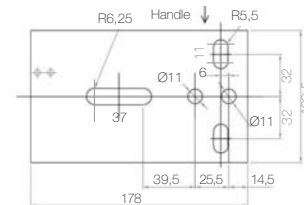
**Important :** At least 3 fixing points are required (4AFM : 2 fixing points)



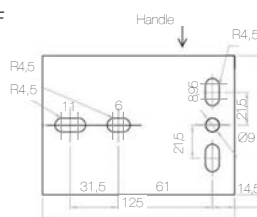
4AFM



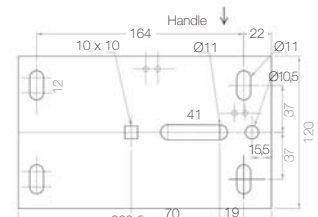
8AF



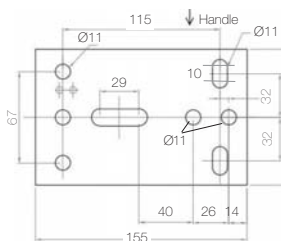
4AF



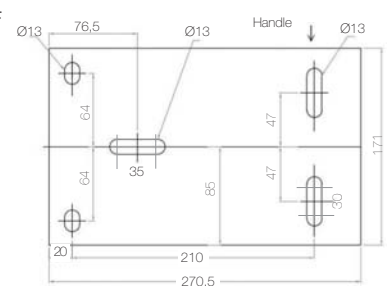
12/20AF



6AF



30AF



Winch	4AFM	4AF	4AFI	4AFL	6AF	6AFI	6AFL	8AF	8AFI	8AFL	12AF	12AFI	12AFL	20AF	30AF
A	211	250	245	250	265	265	265	265	270	265	294	294	294	294	365
B	50	90,5	88,5	90,5	99	99	99	100	100	100	119,5	119,5	119,5	119,5	170
C	78	117	117	117	132	132	132	132	130	132	155	155	155	155	225
E	100	100	96	100	100	100	100	100	100	100	100	100	100	100	100
F	126	128	128	128	161	165	161	200	200	200	214	214	214	214	300
G	96	96	96	96	128	130	128	167	167	167	170	170	170	170	180
H	195	197	202	197	240	232	240	290	290	290	295	295	295	330	345
I	27	27	27	27	27	27	27	27	27	27	28	28	28	28	4
L	-	-	-	70	-	-	65	-	-	65	-	-	40	-	-
M	80	80	80	80	117	117	117	140	140	140	140	140	140	140	170
N	31	31	31	31	58	58	58	81	81	81	81	81	81	81	98
O	68	68	58	68	68	68	68	68	68	68	68	68	68	68	130
P	92	92	92	92	92	92	92	92	92	92	92	92	92	92	162

## Brake winches in stainless steel 316 L (1.4404)



- Winch with a security self-braking system for lifting applications. The load can be held without any action on the handle
- Lifting capacity up to 900 kg
- Material : stainless steel for corrosive environments

**Dimensions :** See page 7 (similar winch types).



### Stainless steel brake winches (316L) with gear protection

Winches supplied without any cable or webbing strap



Type	4AFMID	4AFID	6AFID	8AFID	12AFID
Item No	PF53417	PF53418	PF53619	PF53824	PF53119
Lifting capacity : last layer	80 kg	180 kg	240 kg	270 kg	490 kg
first layer	190 kg	340 kg	500 kg	650 kg	900 kg
Rolling load capacity on a 30% incline	450 kg	500 kg	750 kg	850 kg	1 500 kg
Min. load for the brake function	10 Kg	10 kg	10 kg	10 kg	10 kg
Recommended max. cable-Ø and length	3 mm x 8 m	4 mm x 12 m	5 mm x 14 m	6 mm x 19 m	7 mm x 13 m
Drum-Ø	27 mm	36 mm	45 mm	54 mm	63 mm
Gear ratio	1/2,57	1/2,57	1/3,5	1/4,85	1/9,71
Weight	2,2 kg	2,8 kg	4,4 kg	5,2 kg	7,6 kg

### Stainless steel brake winches (316L) without gear protection

Winches supplied without any cable or webbing strap



Type	4AFMI	4AFI	6AFI	8AFI	12AFI
Item No	PF54418	PF54419	PF54612	PF54816	PF54118
Lifting capacity : last layer	80 kg	180 kg	240 kg	270 kg	490 kg
first layer	190 kg	340 kg	500 kg	650 kg	900 kg
Rolling load capacity on a 30% incline	450 kg	500 kg	750 kg	850 kg	1 500 kg
Min. load for the brake function	10 kg	10 kg	10 kg	10 kg	10 kg
Recommended max. cable-Ø and length	3 mm x 8 m	4 mm x 12 m	5 mm x 14 m	6 mm x 19 m	7 mm x 13 m
Drum-Ø	27 mm	36 mm	45 mm	54 mm	63 mm
Gear ratio	1/2,57	1/2,57	1/3,5	1/4,85	1/9,71
Weight	2,2 kg	2,8 kg	4,4 kg	5,2 kg	7,6 kg

**Important :** These winches are not designed for the transport of people and must not be used for this purpose.

### AFL security lock range

Winches with additional manual security lock.

AFIDL-winch with gear protection	4AFIDL	6AFIDL	8AFIDL	12AFIDL
	PF53416	PF53618	PF53823	PF53118
AFIL-winch without gear protection	4AFIL	6AFIL	8AFIL	12AFIL
	PF54417	PF54611	PF54815	PF54117

Full casing on request

### Maintenance kit

Winch type	4AFMI	4AFI	6AFI	8AFI	12AFI
Handle kit	PF56070	PF56070	PF56071	PF56072	PF56073
Cable grip kit	PF56010	PF56010	PF56011	PF56012	PF56013

### Removable hexagonal handle

Option code M5



## TALBOT Industrie

Les Portes de Chambord - 41500 Mer France

Tél : +33 (0) 254 814 451

Fax : +33(0) 254 814 458

<http://www.winch.net>

Contact : [talbot@talbot-industrie.com](mailto:talbot@talbot-industrie.com)

Your distributor